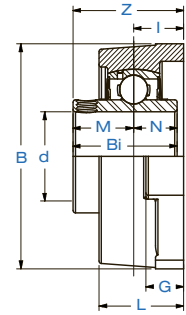
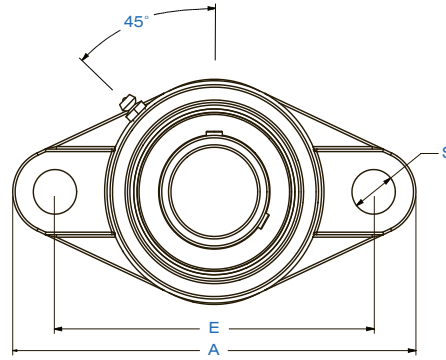




SUCSFTM 200

Normal-Duty 2-Bolt Flange Block
Setscrew Lock



Seal
Styles



Standard Seal
with Flinger



Triple-Lip
L3 Seal

Bearing Number	Shaft Dia.	Dimensions in. mm.											Bolt Used	Load Rating lbs. kN.		Bearing Insert	Housing Number	Wt. lbs. kg.	
	d in. mm.	A	E	I	G	L	S	B	Z	Bi	N	M		in. mm.	Dynamic Cr				Static Cor
SUCSFTM 201	12																SUC 201	SFTM 204	1.1 0.5
SUCSFTM 201-8	1/2															SUC 201-8			
SUCSFTM 202	15															SUC 202			
SUCSFTM 202-10	5/8	4.45	3.54	0.59	0.47	1.00	0.39	2.37	1.31	1.2205	0.5000	0.7205	5/16	2,331	1,142				
SUCSFTM 203	17	113.0	90.0	15.0	12.0	25.5	10.0	60.3	33.3	31.0	12.7	18.3	M8	10.37	5.08				
SUCSFTM 204-12	3/4															SUC 204-12			
SUCSFTM 204	20															SUC 204			
SUCSFTM 205-14	7/8															SUC 205-14	SFTM 205	1.5 0.7	
SUCSFTM 205-15	15/16															SUC 205-15			
SUCSFTM 205	25	4.92	3.90	0.63	0.53	1.06	0.47	2.68	1.41	1.3425	0.5630	0.7795	3/8	2,542	1,349				
SUCSFTM 205-16	1	125.0	99.0	16.0	13.5	27.0	12.0	68.0	35.8	34.1	14.3	19.8	M10	11.31	6.00				
SUCSFTM 206-17	1 1/16															SUC 206-17	SFTM 206	2.0 0.9	
SUCSFTM 206-18	1 1/8															SUC 206-18			
SUCSFTM 206	30	5.55	4.61	0.71	0.53	1.22	0.47	3.11	1.58	1.5000	0.6260	0.8740	3/8	3,554	1,942				
SUCSFTM 206-19	1 3/16	141.0	117.0	18.0	13.5	31.0	12.0	79.0	40.2	38.1	15.9	22.2	M10	15.81	8.64				
SUCSFTM 206-20	1 1/4															SUC 206-20			
SUCSFTM 207-20	1 1/4															SUC 207-20	SFTM 207	2.9 1.3	
SUCSFTM 207-21	1 5/16															SUC 207-21			
SUCSFTM 207-22	1 3/8	6.14	5.12	0.75	0.61	1.34	0.51	3.50	1.75	1.6890	0.6890	1.0000	7/16	4,683	2,626				
SUCSFTM 207	35	156.0	130.0	19.0	15.5	34.0	13.0	89.0	44.4	42.9	17.5	25.4	M12	20.83	11.68				
SUCSFTM 207-23	1 7/16															SUC 207-23			
SUCSFTM 208-24	1 1/2															SUC 208-24	SFTM 208	3.3 1.5	
SUCSFTM 208-25	1 9/16	6.77	5.67	0.83	0.59	1.42	0.51	3.90	2.02	1.9370	0.7480	1.1890	7/16	5,294	3,057				
SUCSFTM 208	40	172.0	144.0	21.0	15.0	36.0	13.0	99.0	51.2	49.2	19.0	30.2	M12	23.55	13.60				
SUCSFTM 209-26	1 5/8															SUC 209-26	SFTM 209	3.7 1.7	
SUCSFTM 209-27	1 11/16															SUC 209-27			
SUCSFTM 209-28	1 3/4	7.05	5.83	0.87	0.56	1.50	0.59	4.21	2.06	1.9370	0.7480	1.1890	1/2	5,923	3,507				
SUCSFTM 209	45	179.0	148.0	22.0	14.3	38.0	15.0	107.0	52.2	49.2	19.0	30.2	M14	26.35	15.60				
SUCSFTM 210-30	1 7/8															SUC 210-30	SFTM 210	5.1 2.3	
SUCSFTM 210-31	1 15/16															SUC 10-31			
SUCSFTM 210	50	7.44	6.18	0.87	0.61	1.52	0.59	4.49	2.15	2.0315	0.7480	1.2835	1/2	6,402	4,046				
SUCSFTM 210-32	2	189.0	157.0	22.0	15.5	38.5	15.0	114.0	54.6	51.6	19.0	32.6	M14	28.48	18.00				
SUCSFTM 211-32	2															SUC 211-32	SFTM 211	6.2 2.8	
SUCSFTM 211-34	2 1/8															SUC 211-34			
SUCSFTM 211	55	8.54	7.24	0.98	0.75	1.73	0.71	5.24	2.30	2.1890	0.8740	1.3150	9/16	7,931	5,036				
SUCSFTM 211-35	2 3/16	217.0	184.0	25.0	19.0	44.0	18.0	133.0	58.4	55.6	22.2	33.4	M16	35.28	22.40				
SUCSFTM 212-36	2 1/4															SUC 212-36	SFTM 212	9.5 4.3	
SUCSFTM 212	60															SUC 212			
SUCSFTM 212-38	2 3/8	9.29	7.95	1.14	0.79	1.89	0.71	5.57	2.70	2.5630	1.0000	1.5630	9/16	9,554	5,921				
SUCSFTM 212-39	2 7/16	236.0	202.0	29.0	20.0	48.0	18.0	141.5	68.7	65.1	25.4	39.7	M16	42.50	26.34				

MARINER®